

IR Wireless Interpretation System



GON SIN TC-904/906/908/912 infrared interpretation system is designed to offer audio distribution for 4, 6, 8 or 12 channels using the advanced infrared transmission technology. The system operates in the 2-6MHz frequency range which is immune to distortion from hall lighting and free from radio interference, ideally suited for use in business and government conferences, international conventions and other multilingual applications.

■ IR Receiver

TC-J904LC/J906LC/J908LC/J912LC

The TC-J904LC/J906LC/J908LC/J912LC infrared receiver is designed to receive 4/6/8/12 channels. The receiver is powered by a more environment-friendly rechargeable Lithium-ion battery pack. The selected channel number and battery level can be displayed on LCD screen. The user may listen to any selected language on a personal headphone. Volume level can be adjusted through a thumbwheel switch for comfortable listening. Any number of receivers can be used within the radiator's effective coverage range.



● Technical Specifications

Left/right button for volume control	Frequency response	100-14kHz	
Up/down push buttons for channel selection	De-emphasis	75 μSec.	
3.5mm jack for headphone	Peak deviation	±7.5kHz	
LCD shows channel number & battery level	Distortion at 1 kHz	<1%	
30-hour operation with fully charged battery	S/N ratio	>55dB	
Integrated charging electronics & contacts	Channel separation	>55dBA	
Battery: 3.7V rechargeable Lithium-ion	Frequency stability	10ppm	
Modulation mode	FM	Power consumption	50mW
Frequency synthesis	digital PLL	Dimensions	159×55×26 mm(H×W×D)
Frequency range	2.0 - 6.0MHz		

IR Radiator

TC-H25/35

The TC-H25/35 high-power infrared radiator can be switchable to 50% low power, making it suitable for use in larger halls and smaller rooms. The radiator's integrated power supply unit is automatically switched on and off by the carrier signals from the transmitter by means of an high frequency sensor. The radiator is equipped with automatic gain control to ensure the infrared diodes function with maximum efficiency, and is naturally convection cooled for totally silent and maintenance-free continuous operation. It can be ceiling or wall mounted for permanent installation, or set up on an optional tripod for portable application. Multiple radiators can easily be daisy chained together to expand coverage. The unit is easy to maintain and clean, with IR emitting diodes protected by the cover plate.

Technical Specifications

Frequency band	2.0 - 6.0 MHz
IR output power	25W / 35W
Switchable output level	Low/High
Coverage range	up to 40 or 60 meters
Angle of half intensity	±22°
RF output impedance	55-75 ohms
RF input voltage	100-2000mV
Power consumption	55W, Stand-by 8W
Power Supply	110/240VAC, 50-60Hz
Operating temperature	0°C-40°C
Cable	75Ω-4 coax, BNC connectors
Dimensions	450×82×211 mm(W×D×H)



IR Transmitter

TC-Z904B/906B/908/912



The TC-Z904B/906B/908/912 infrared transmitter is a microprocessor based central unit which is designed to modulate and transmit 4, 6, 8 or 12 audio channels to different carrier frequencies. It features independent channel level control, independent channel output level indicators, and independent channel audio output sockets. Test mode produces a different frequency tone for each channel. Two BNC sockets can connect infrared radiators in two lines. The transmitter can daisy-chain multiple interpreter consoles.

● Technical Specifications

Modulation mode	FM
Frequency synthesis	digital PLL
Frequency band	2.0 - 6.0MHz
Frequency response	100-14kHz
Frequency stability	10ppm
Pre-emphasis	75 μ Sec.
Peak deviation	± 7.5 kHz
Distortion at 1 kHz	<0.5%
Channel separation	>70dB
RF output power level	700mV
RF output impedance	55-75 ohms
Input impedance	18k ohms
Max. input power level	7.5V
AGC range	30dB
S/N ratio	>75dB
Power consumption	40W
Power requirement	110/240VAC, 50-60Hz
Dimension	485 \times 325 \times 90 mm (W \times H \times D)
19" rack mountable case	



Interpreter Console

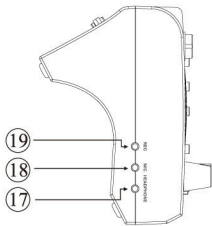
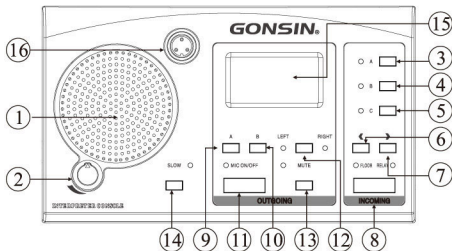


Interpreter Console

TC-F06/16

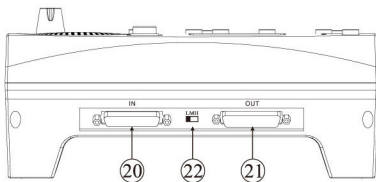
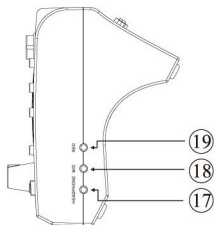
Main features

- Digitally-controlled workstation designed for 6 or 16-channel interpretation system
- LCD screen to display the following information:
 - Channel selection and confirmation
 - Incoming/outgoing channel number
 - All the occupied language channels
 - Channel number of this unit
 - Previous and present operation time
- Two different types of microphone can be used
 - High quality gooseneck microphone
 - Headset boom microphone
- Built-in loudspeaker with volume level control.
Loudspeaker is automatically switched off when the microphone is turned on
- A/B/C pre-select incoming channels for relay interpretation
- A/B pre-select outgoing channels for normal interpretation and retour interpretation
- Automatic channel interlocking function prevents the interpreters from using the same outgoing channel
- MUTE key to enable a brief muting of the microphone for cough cut
- Multiple interpreter consoles can be connected in a daisy-chain



● Functions and indicators

1. Built-in loudspeaker 8Ω/2W
2. Rotary switch for loudspeaker volume level control
3. Key A for the first pre-selected incoming channel
4. Key B for the second pre-selected incoming channel
5. Key C for the third pre-selected incoming channel
6. Leftward key to pre-select an incoming/outgoing channel number
7. Rightward key to pre-select an incoming/outgoing channel number
8. FLOOR/RELAY key.
9. Key A for the first outgoing channel.
10. Key B for the second outgoing channel.
11. MIC ON/OFF button.
12. Selection button for left/right headset microphone.
13. MUTE key.
14. SLOW key to alert the current speaking delegate to speak slowly.
15. LCD screen for channel information display
16. Connector for pluggable microphone
17. Headphone output jack (3.5mm)
18. Headset microphone input jack (3.5mm)
19. REC output jack (3.5mm) on both sides for audio recording.
20. INPUT connector.
21. OUTPUT connector.
22. L/M/H switch to adjust the output volume level.



● Technical Specifications

Frequency response	50Hz to 18KHz
Channel separation	> 85 dB
Signal-to-noise ratio	> 90 dB
Distortion at 1 Khz	< 0.1%
Operating voltage	24V DC
Power consumption	2.5W
Maximum input power level	7.5V
Built-in loudspeaker	8 ohms/2W
Audio input/output	2× MIC / 2× REC
Standard mic stem length	410 mm
Operating temperature	0°C to 45°C
Storage temperature	-20°C to 50°C
LCD screen	128x64 backlight
Dimensions	247×145×95 mm(W×D×H)
Weight	1.2kg



■ Charging Case

GX-20/20S

● Features

- ◆ Handy aluminium/plastic case for charging & storage
- ◆ Microprocessor-based smart charging circuit
- ◆ Accommodates up to 20 receivers or voting units
- ◆ Microprocessor-based smart charging circuit
- ◆ Independent LED indicators for charging status
- ◆ About 4 hours are needed to fully charge 20 units
- ◆ Receivers can be left in the case after complete charge
- ◆ AC/DC adapter with power cord



● Technical Specifications

Power input	100-240V, 50-60Hz
Power output	7.5V, 8A
Operating temperature	0-45°C
Storage temperature	-20-50°C
Dimensions	590x300x200 mm (W x D x H)
Net Weight	6.65 Kg

■ Interpreter Headset

TC-D2

Closed-ear stereo headset with mic and vol control

Connectors	3.5mm stereo plugs
Impedance	60Ω±15%
Frequency response	20Hz to 20KHz
Microphone type	Omni-directional dynamic
Microphone sensitivity (1kHz)	-58±2dB
Cord length	2 meters



■ Stereo Headphone

TC-D3

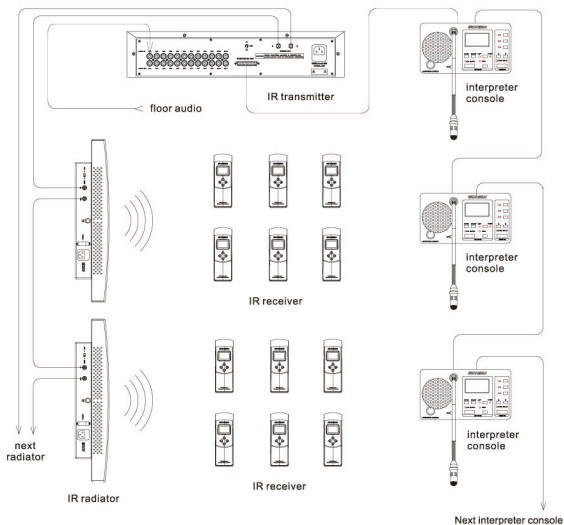
Ergonomic design	
Super heavy bass	
Frequency response	20 Hz - 20 kHz
Impedance	32 ohms ±15%
Sensitivity	94dB ±3dB
Maximum power input	30mW
Adjustable headband & soft foam ear pads	
40mm drivers for dynamic stereo sound	
150 cm single entry cord with 3.5mm plug	



System Components

ITEMS	4 channels	6 channels	8 channels	12 channels
IR Transmitter	TC-Z904B	TC-Z906B	TC-Z908	TC-Z912
IR Radiator	TC-H25/35	TC-H25/35	TC-H25/35	TC-H25/35
IR Receiver	TC-J904LC	TC-J906LC	TC-J908LC	TC-J912LC
Interpreter Console	TC-F06	TC-F06	TC-F16	TC-F16
Interpreter Headset	TC-D2	TC-D2	TC-D2	TC-D2
Headphone	TC-D3	TC-D3	TC-D3	TC-D3
Charging Case (20 units)	GX-20(V4.0)	GX-20(V4.0)	GX-20(V4.0)	GX-20(V4.0)
Charging Case (60 units)	GX-60	GX-60	GX-60	GX-60

System Configuration





All rights reserved. The information and specifications included are subject to change without prior notice.

GONSIN DIGITAL EQUIPMENT CORPORATION
www.gonsin.com

